

Thermal Transfer Labels

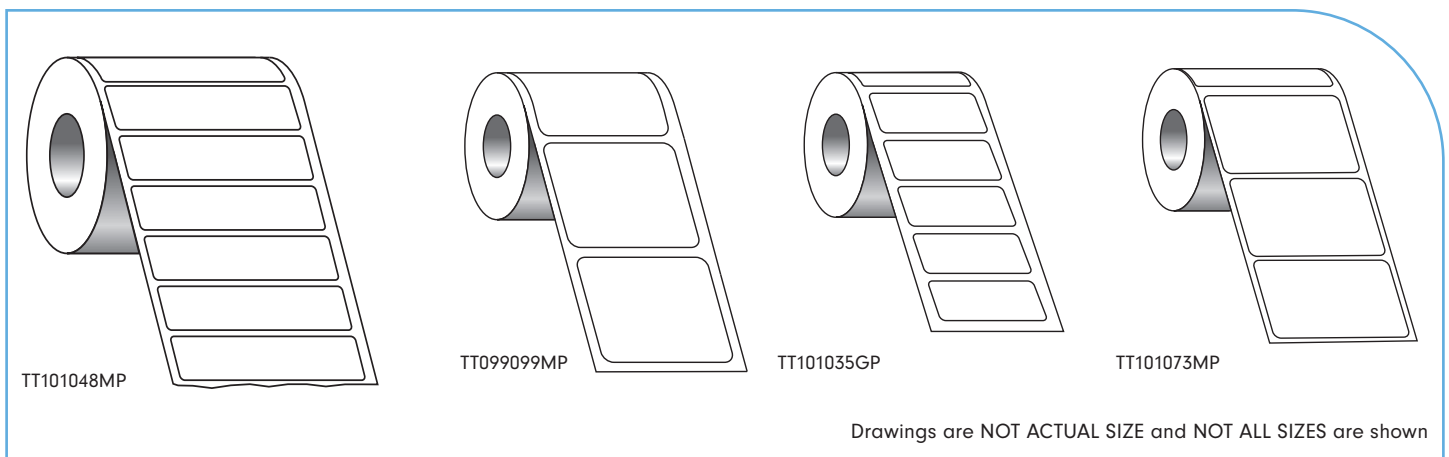
- Blank, white paper, thermal transfer
- Matt and gloss options, ex stock
- Perfed between each label
- All max OD (outer diameter) for Zebra & Honeywell printers
- Ribbon required

Thermal transfer labels, in stock at MCC Albany. Use a thermal ribbon to improve the lifespan of the print. Premium paper with high quality, broad spectrum adhesive. Matt and gloss options. The rolls are all maximum diameter for tabletop (76mm core) and desktop (25mm core) thermal printers. We perf between each label to make them easy to use. Cartons of 8 rolls (76mm core) and 20 rolls (25mm core).

Thermal Transfer Labels (ex stock) – Price per roll

mcc id	code	size (mm)	face stock	across	labels (per roll)	core (mm)	rolls (per carton)	split carton	full carton**	fsc® paper
Gloss Thermal Transfer 76mm Core, Permanent Adhesive										
400062	TT101035GP	101 x 35	Gloss TT	1	4,000	76	8	\$67.34	\$54.76	✓
400051	TT101048GP	101 x 48	Gloss TT	1	3,000	76	8	\$67.34	\$54.76	✓
400061	TT101073GP	101 x 73	Gloss TT	1	2,000	76	8	\$67.34	\$54.76	✓
400050	TT101149GP	101 x 149	Gloss TT	1	1,000	76	8	\$67.34	\$54.76	✓
Matt Thermal Transfer 76mm Core, Permanent Adhesive										
400086	TT038018MP2	38 x 18	Matt TT	2	7,000	76	8	\$67.34	\$54.76	✓
400130	TT040030MP	40 x 30	Matt TT	1	5,000	76	8	\$67.34	\$54.76	✓
400033	TT051024MP	51 x 24	Matt TT	1	5,000	76	8	\$67.34	\$54.76	✓
400043	TT051024MP2	51 x 24	Matt TT	2	5,000	76	8	\$67.34	\$54.76	✓
401250	TT076036MP	76 x 36	Matt TT	1	4,000	76	8	\$67.34	\$54.76	✓
400045	TT076048MP	76 x 48	Matt TT	1	3,000	76	8	\$67.34	\$54.76	✓
400065	TT089024MP	89 x 24	Matt TT	1	5,000	76	8	\$67.34	\$54.76	✓
400064	TT099099MP	99 x 99	Matt TT	1	1,500	76	8	\$67.34	\$54.76	✓
400035	TT101035MP	101 x 35	Matt TT	1	4,000	76	8	\$67.34	\$54.76	✓
400025	TT101048MP	101 x 48	Matt TT	1	3,000	76	8	\$67.34	\$54.76	✓
400026	TT101073MP	101 x 73	Matt TT	1	2,000	76	8	\$67.34	\$54.76	✓
400063	TT101149MP	101 x 149	Matt TT	1	1,000	76	8	\$67.34	\$54.76	✓

** Full carton rate applies to purchasing full cartons only



Thermal Transfer Labels

- Blank, white paper, thermal transfer
- Matt and gloss options, ex stock
- Perfed between each label
- All max OD (outer diameter) for Zebra & Honeywell printers
- Ribbon required

Thermal Transfer Labels (ex stock) – Priced per roll

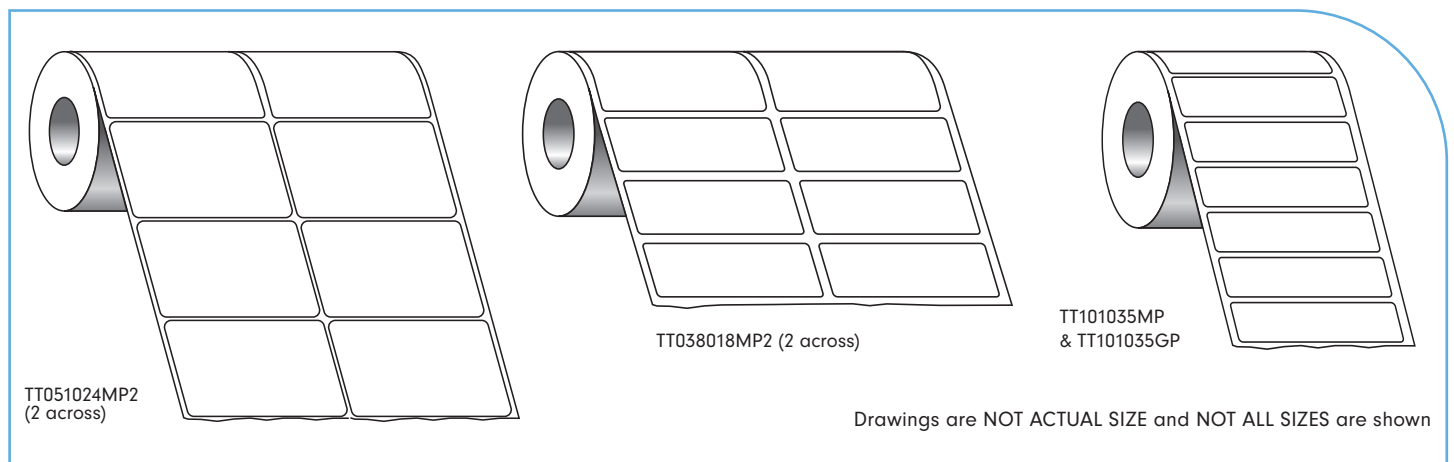
mcc id	code	size (mm)	face stock	across	labels (per roll)	core (mm)	rolls (per carton)	split carton	full carton**	fsc® paper
Matt Thermal Transfer 25mm Core, Permanent Adhesive										
400085	TT038018MP225	38 x 18	Matt TT	2	3,500	25	20	\$37.24	\$30.77	✓
400087	TT040030MP25	40 x 30	Matt TT	1	1,250	25	20	\$37.24	\$30.77	✓
400034	TT051024MP25	51 x 24	Matt TT	1	2,500	25	20	\$37.24	\$30.77	✓
400128	TT051024MP225	51 x 24	Matt TT	2	2,500	25	20	\$37.24	\$30.77	✓
401251	TT076036MP25	76 x 36	Matt TT	1	2,000	25	20	\$37.24	\$30.77	✓
400032	TT076048MP25	76 x 48	Matt TT	1	1,500	25	20	\$37.24	\$30.77	✓
400126	TT089024MP25	89 x 24	Matt TT	1	2,500	25	20	\$37.24	\$30.77	✓
400124	TT099099MP25	99 x 99	Matt TT	1	750	25	20	\$37.24	\$30.77	✓
400123	TT101035MP25	101 x 35	Matt TT	1	2,000	25	20	\$37.24	\$30.77	✓
400030	TT101048MP25	101 x 48	Matt TT	1	1,500	25	20	\$37.24	\$30.77	✓
400028	TT101073MP25	101 x 73	Matt TT	1	1,000	25	20	\$37.24	\$30.77	✓
400031	TT101149MP25	101 x 149	Matt TT	1	500	25	20	\$37.24	\$30.77	✓

** Full carton rate applies to purchasing full cartons only

Fuoro Colour Labels – Priced per roll

mcc id	code	size (mm)	face stock	across	labels (per roll)	core (mm)	rolls (per carton)	split carton	full carton**	fsc® paper
Matt Thermal Transfer 76mm Core, Permanent Adhesive										
400075	TT099099MPG	99 x 99	Green TT	1	750	76	20	\$47.83	\$40.39	✓
400074	TT099099MPO	99 x 99	Orange TT	1	750	76	20	\$47.83	\$40.39	✓
400076	TT099099MPR	99 x 99	Red TT	1	750	76	20	\$47.83	\$40.39	✓
400077	TT099099MPY	99 x 99	Yellow TT	1	750	76	20	\$47.83	\$40.39	✓

** Full carton rate applies to purchasing full cartons only



Drawings are NOT ACTUAL SIZE and NOT ALL SIZES are shown